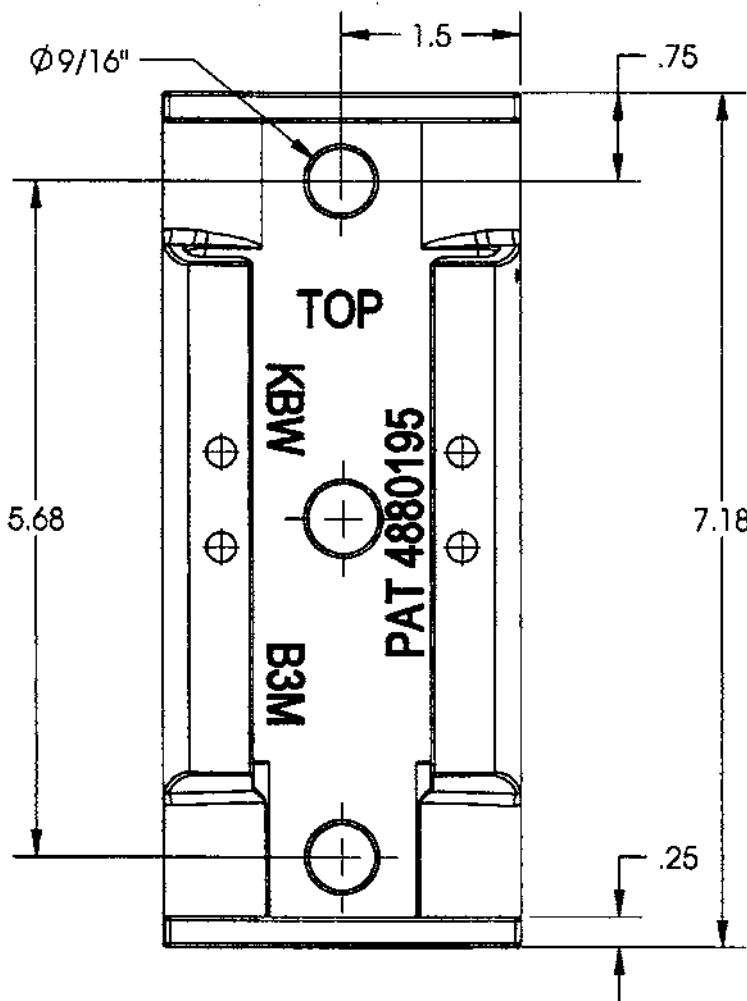
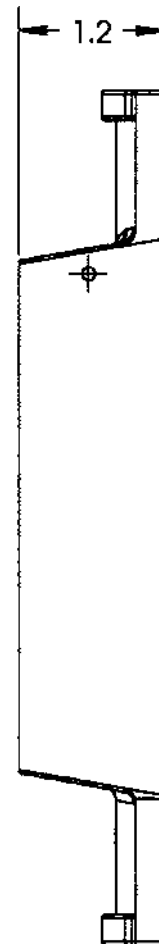


TOP VIEW

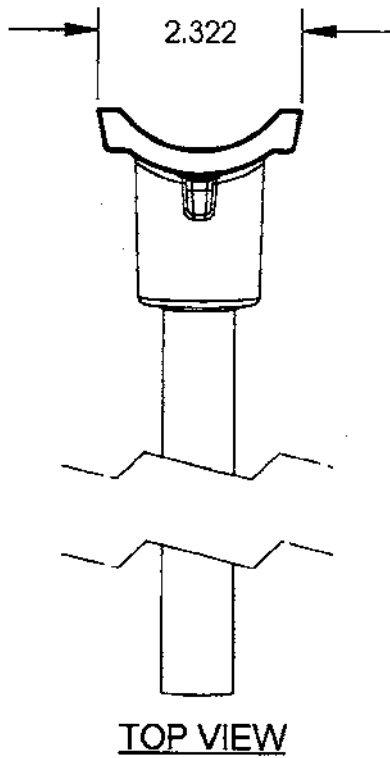
**BANNERFLEX
MAIN CASTING**



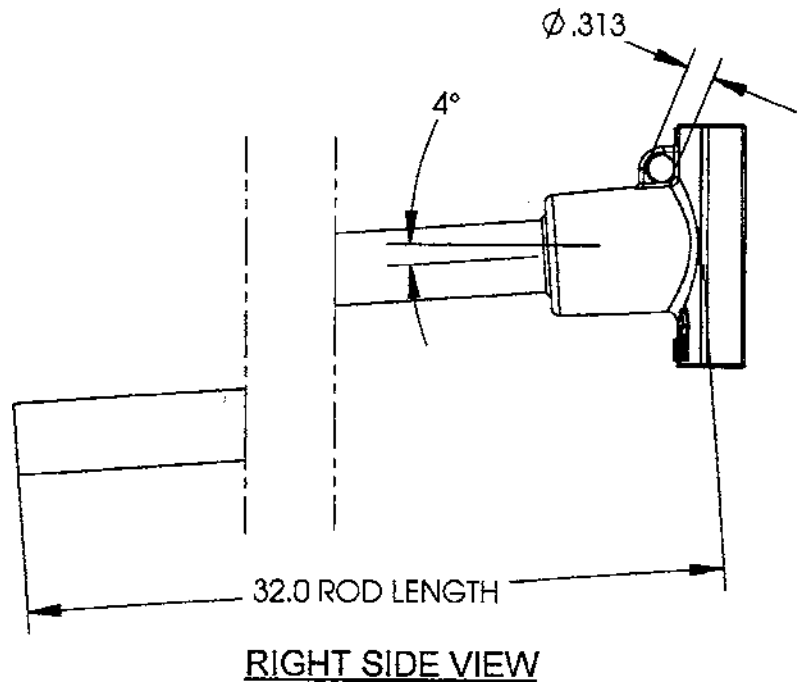
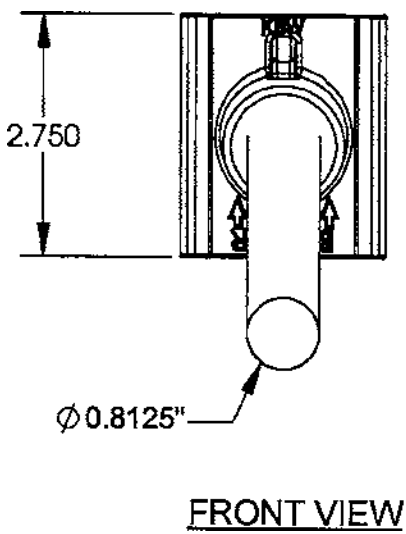
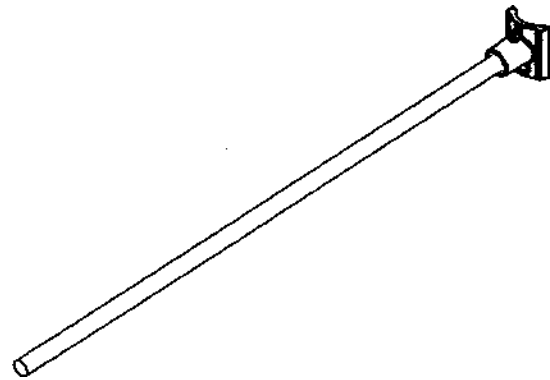
FRONT VIEW

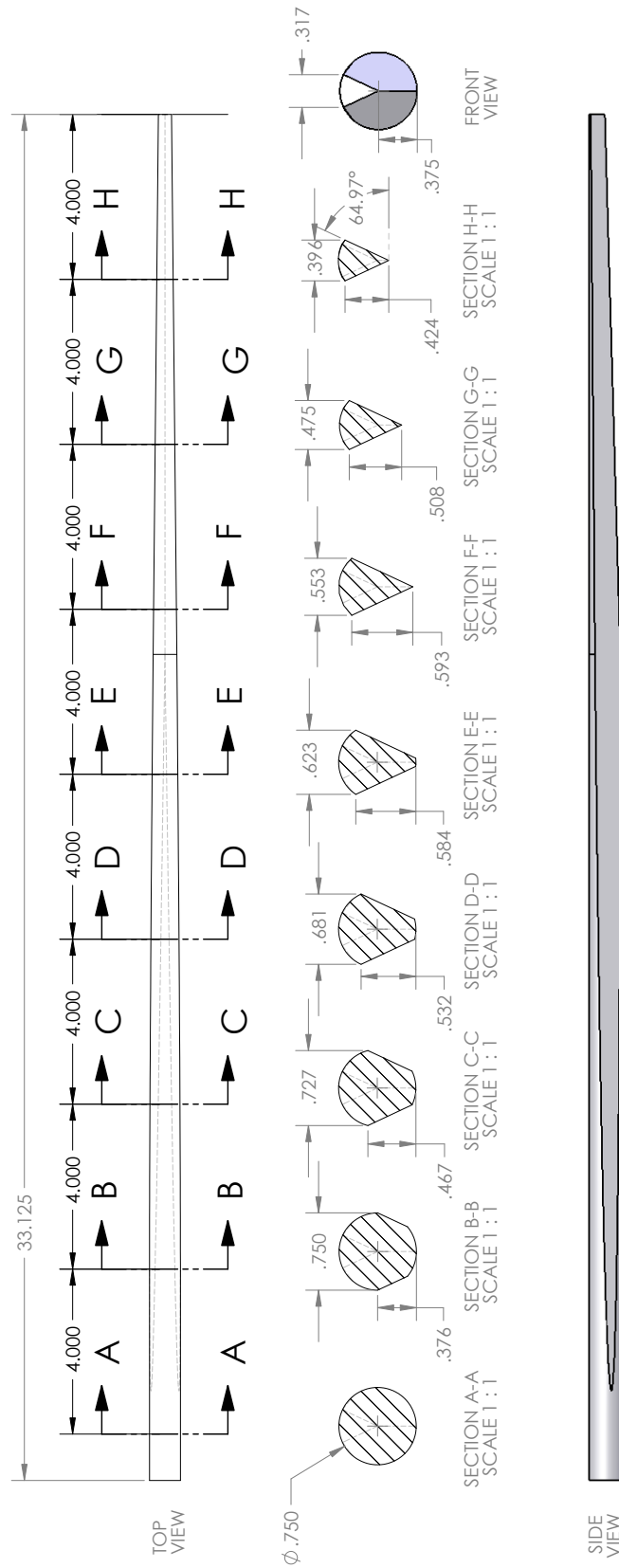


RIGHT SIDE VIEW



**BANNERFLEX
CANTED ARM**





0.75" diameter Epoxy-resin fiberglass rod- CNC machined and coated with Innotech PolyArmor coating. (All sharp edges eased)